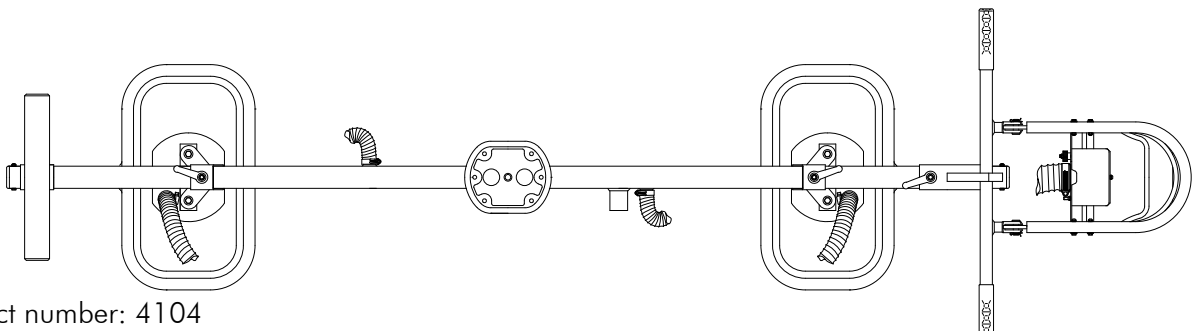


# VacuEasylift lifting mattresses 4104



Project number: 4104

Project supervisor: Paul van de Voorde, ATS Robotics Belgium

Lifting: Mattresses

Max capacity, this project: 80 kg, used with VM180 in Lyftman combined crane system LR120/113

The plastic-wrapped mattresses are lifted with 2x610320 twin suction feet on a yoke. A flexible, extended handle is placed on the short end which is most suitable in this case. A counterweight is placed in the other end to achieve a balanced motion. The crane system is a combined system, with girder in steel profile for extra strength and bridge in aluminium for ultimate flexibility.

**TAWI**  
VacuEasylift

Box 10205 434 23 KUNGSBACKA Sweden  
Tel +46 300 185 00

info@tawi.se

[www.TAWI.com](http://www.TAWI.com)